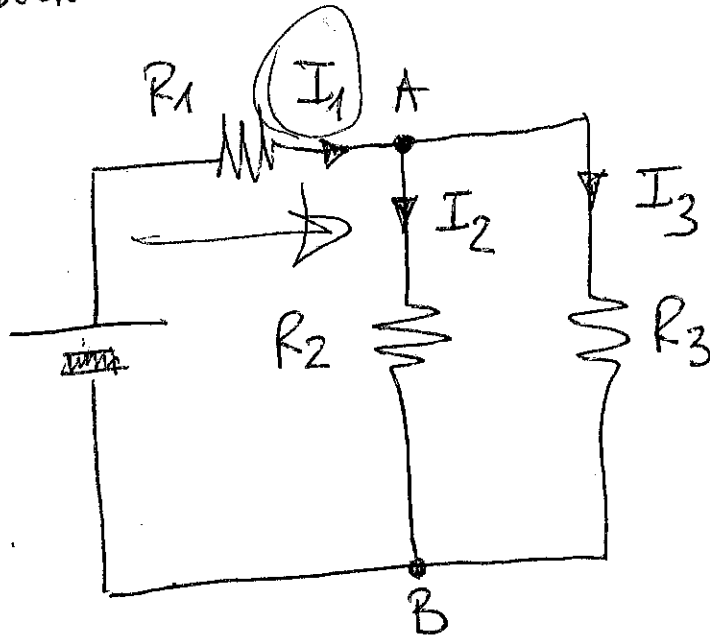


DATI IL SEGUENTE CIRCUITO

(2)



DATI

- $R_1 = 5 \text{ k}\Omega$
- $R_2 = 10 \text{ k}\Omega$
- $R_3 = 10 \text{ k}\Omega$
- $E_1 = 10 \text{ V}$

DETERMINARE:

la grandezza  $I_1$

$$I = \frac{V}{R} = \frac{10}{10} = 1 \text{ A}$$

The drive to work takes about one hour. Going back home in the evening after work takes even longer, maybe around 70 minutes. Lately I've been thinking about trying to take the train to work instead of driving. That way, I could still listen to my music with headphones, and even read a novel at the same time.



9

9